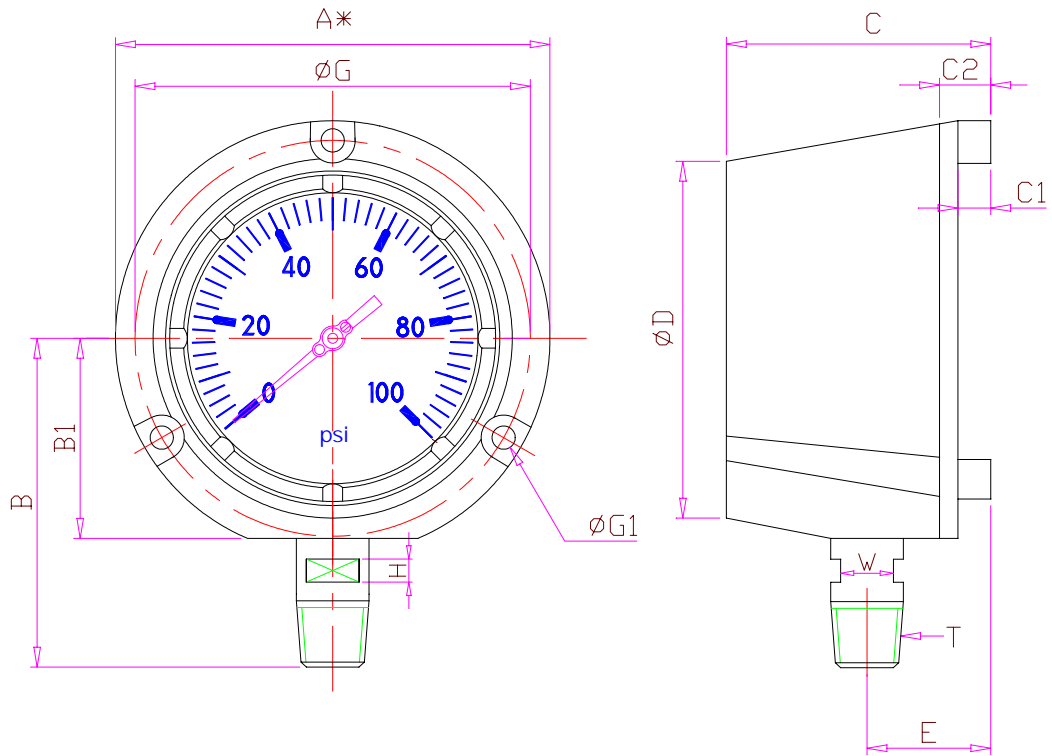


## Solid Front Phenolic Case Gauge (1201 Type)



**Lower Mount  
(LM)**

A\*NOMINAL SIZE

	WEIGHT	KEY	A*	B	B1	C	C1	C2	E	G	G1	H	D	J	M	N	T	W
4.5"		mm	146.0	103.0	49.0	72.0	11.0	15.0	36.0	138.0	6.0	10.0	129.0	/	/	/	3/8";1/2"	16.7
		in	5.748	4.055	1.929	2.835	.433	.591	1.417	5.433	.236	.394	5.079	/	/	/		.657

(DIMENSION CHANGE ALL RIGHTS RESERVED. BY AK.)

Revision: A '03.04